

Specification sheet LX 2231

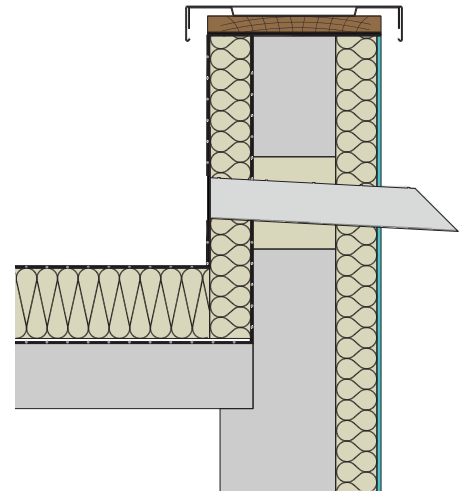
Parapet drainage Rectangular spout with bonding flange

Emergency drainage

Gravity flow

Silent Power

Discharge rate:	5,8 l/s
Water height:	35 mm
Roof penetration:	0 mm
Width/height:	500 mm/100 mm
LX-Number:	LX 2231
Weir height:	-
Drain:	ventilated
Downpipe:	-
Dowpipe height:	-
Drainage:	into the open
Flange:	bonding flange

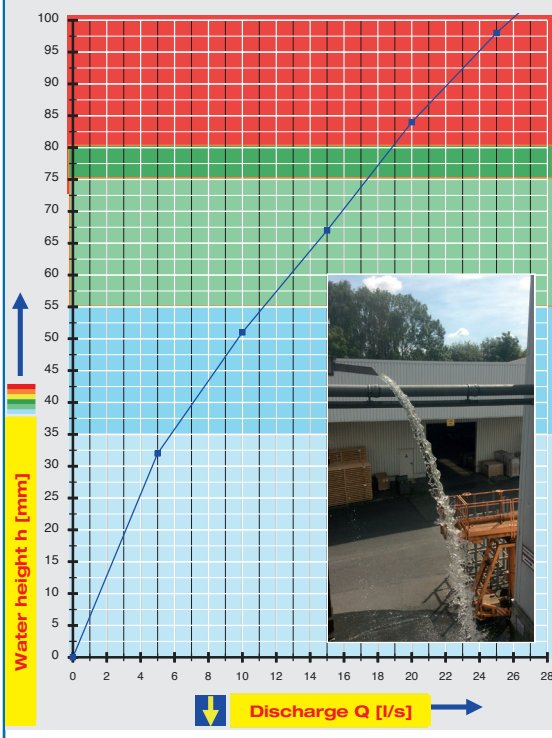


Note:
In this measurement, the 0-point in the discharge curve represents the lower edge of the pipe.

LX 2231 Piece list

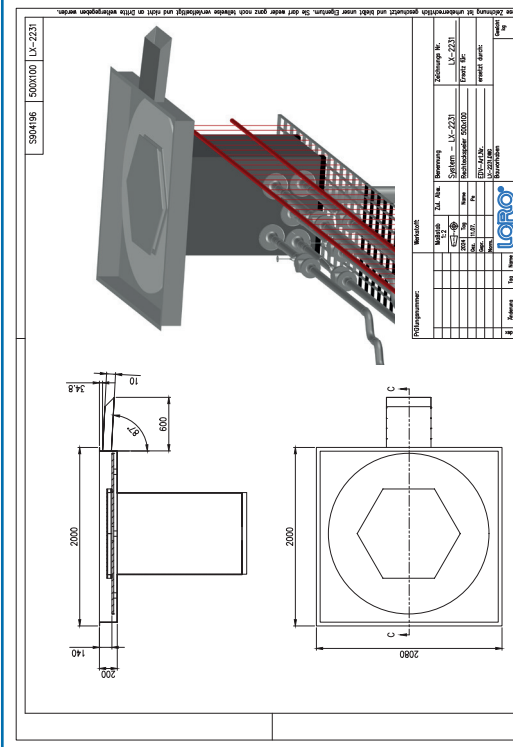
1 x Art.-No. 19042.000X LORO-X Rectangular spout

hQ - Discharge curve



System power

CAD



System shape

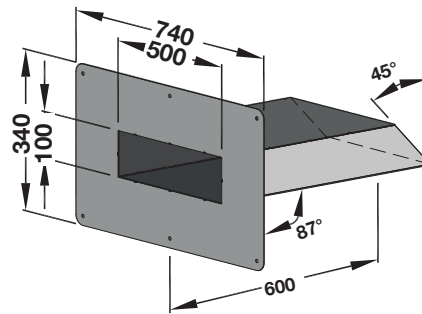
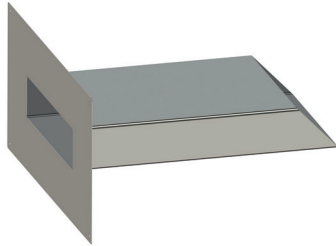
Water height	mm	25	30	35	40	45	50	55	60	65	70	75	80	85	90	95	100
Discharge	l/s	-	-	5,8	7,1	8,3	9,7	11,2	12,8	14,3	15,9	17,3	18,8	20,2	22,1	24,0	25,9
Silent Power																	

LORO-X Rectangular spout with bonding flange

LX2231-20X

Rectangular spout with bonding flange

Art.-No. 19042.000X
Weight: 10,10 kg



LORO-X Facade cover

500 mm x 100 mm
Art.-No. 19142.000X
Weight: 1,9 kg



Object-related production upon request. Please contact LOROWERK for further information.

Maximum dimensions: b = 500 mm and h = 100 mm

Maximum dimensions: b = 750 mm and h = 150 mm with baffle.